



RE/REX-Series Pump Specifications

E-one® Core Replacement System

Fully Assembled with 2 hp. Omnivore® Grinder

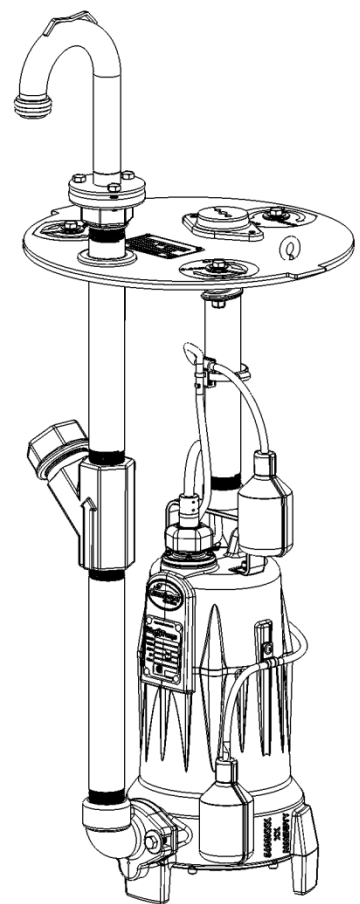
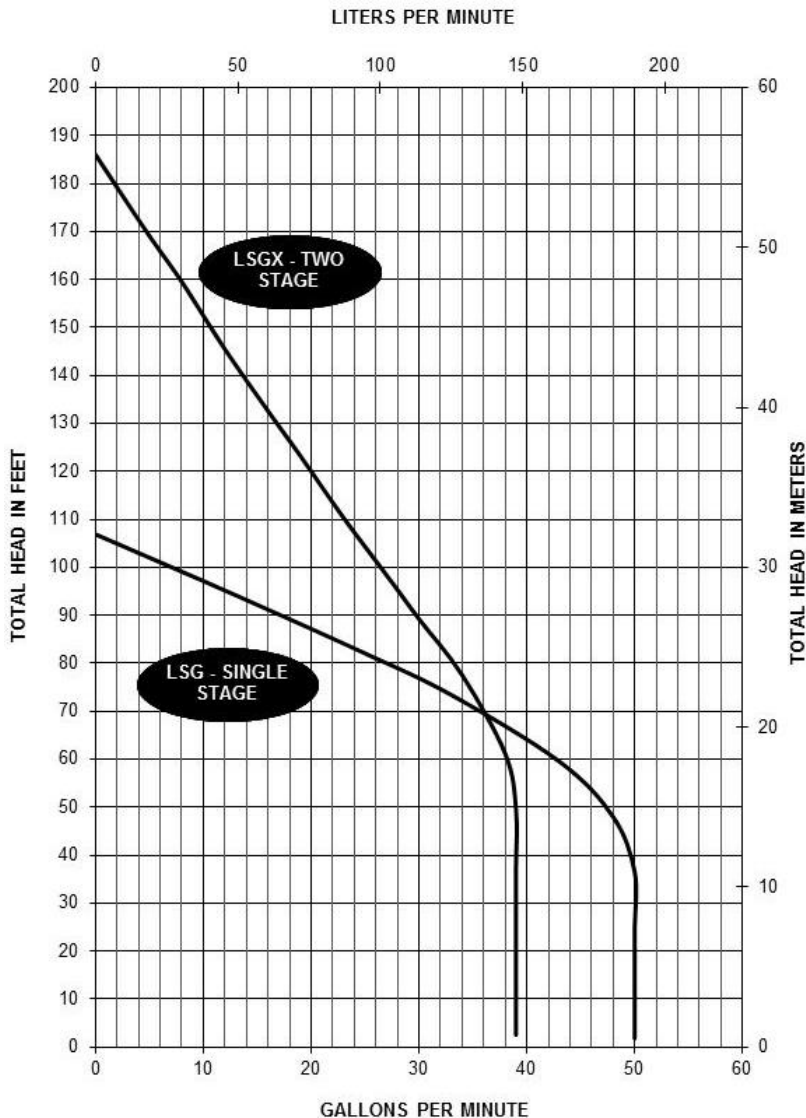
LSGX202-RE, LSG202-RE - Replaces GP200 and GP2000

LSGX202-REX, LSG202-REX - Replaces Extreme D-Series



Note: The 2-stage LSGX202-RE and LSGX202-REX will meet the pressure specifications of E/One® Series GP 200 and GP 2000 and Extreme Series pumps. However these progressive cavity designs have the capability to develop higher pressure than the single stage grinder LSG202-RE and LSG202-REX. While the LSG202-RE Retro-Fit from Liberty will work in many applications as a direct drop-in replacement for E/One®, some installations may exceed its head or pressure capabilities.

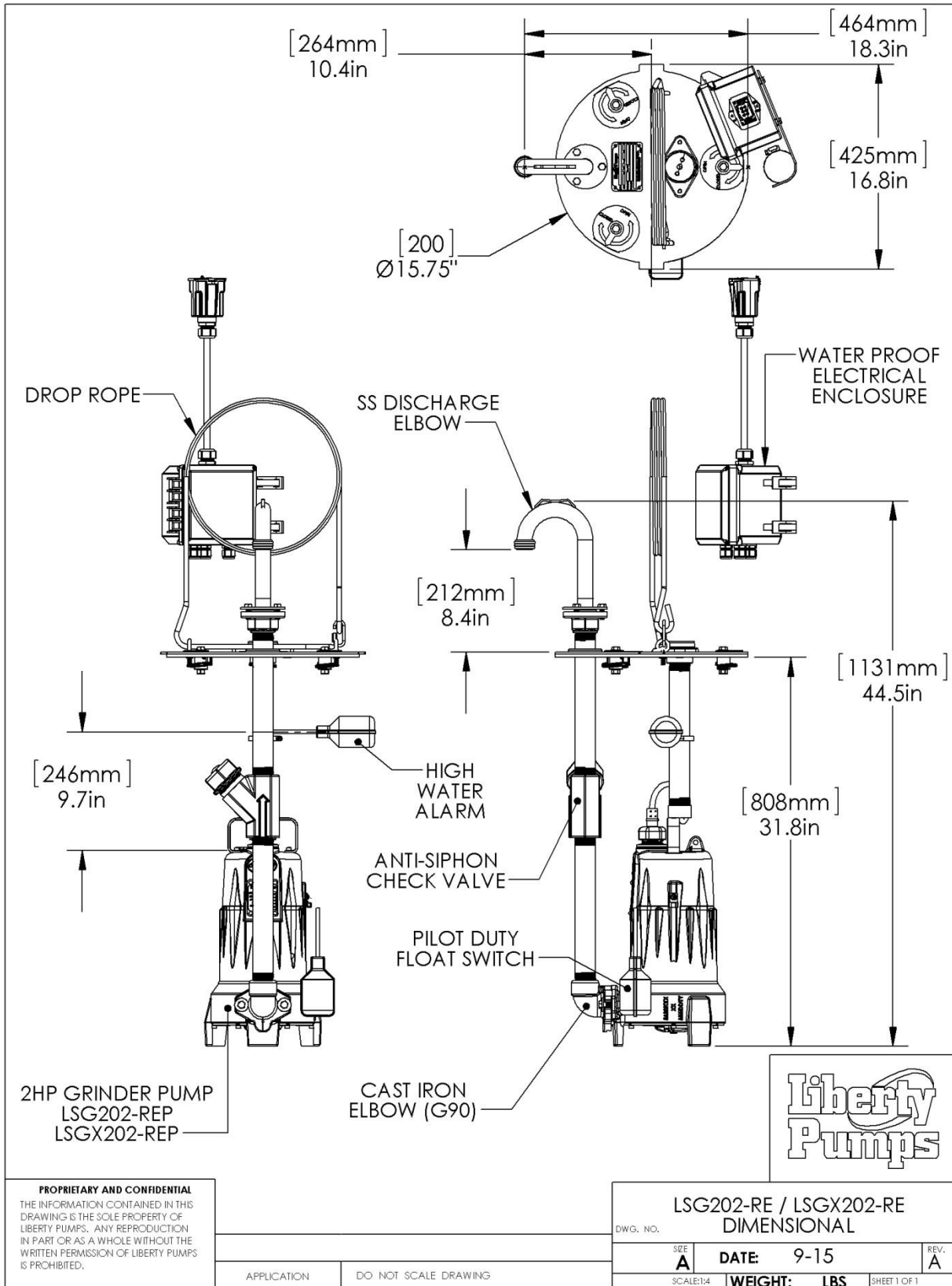
In these situations be sure to specify the LSGX202-RE or LSGX202-REX two stage grinder pump.



E/One® is a registered trademark of the Environment One Corporation and is not affiliated with Liberty Pumps.



RE/REX Series Dimensional Data



RE/REX Series Electrical data

MODEL	HP	VOLTAGE	PHASE	SF	FULL LOAD AMPS	LOCKED ROTOR AMPS	THERMAL OVERLOAD TEMP	STATOR WINDING CLASS	CORD LENGTH FT	DISCHARGE	AUTOMATIC
LSG202-RE	2	208-230	1	1.0	15	53	135°C	B	10	1-1/4" NPT	YES
LSG202-REX	2	208-230	1	1.0	15	53	135°C	B	10	1-1/4" NPT	YES
LSGX202-RE	2	208-230	1	1.0	15	53	135°C	B	10	1-1/4" NPT	YES
LSGX202-REX	2	208-230	1	1.0	15	53	135°C	B	10	1-1/4" NPT	YES

NOTE:

LSG202-RE & LSGX202-RE HAVE SQUARE STYLE 6-PIN ELECTRICAL CONNECTOR (For GP200 and GP2000)



LSG202-REX & LSGX202-REX HAVE ROUND 6-PIN HOODED ELECTRICAL CONNECTOR (For Extreme D-series)



RE/REX Series Technical Data

COVER	EPOXY POWDER COATED STEEL
JUNCTION BOX	NEMA 4X
DISCHARGE ELBOW	1-1/4" STAINLESS STEEL
DISCHARGE PIPING	STAINLESS STEEL
ANTI-SIPHON CHECK VALVE	HIGH TEMP NITRILE BALL POLYPROPYLENE FLOATING BALL HEAVY CAST IRON BODY
IMPELLER	300 SERIES S.S.
PAINT	POWDERCOATING
MAX LIQUID TEMP	140°F/ 60°C
MAX STATOR TEMP	275°F/ 135°C
THERMAL OVERLOAD	275°F/ 135°C
POWER CORD TYPE	SJOOW CORD WITH IP68 PANEL WITH TYPE TC CORD TO PRE-INSTALLED CONNECTOR FOR INTERFACE TO E-ONE® UNIT
MOTOR HOUSING	CLASS 25 CAST IRON
VOLUTE	CLASS 25 CAST IRON
SHAFT	300 SERIES S.S.
HARDWARE	STAINLESS
ORINGS	BUNA N
MECHANICAL SEAL	UNITIZED SILICON CARBIDE
MIN BEARING LIFE	50,000 HRS
WEIGHT	117 LBS

RE/REX Series Specifications

1.01 GENERAL:


The contractor shall provide labor, material, equipment, and incidentals required to provide _____ (QTY) centrifugal grinder pumps as specified herein. The pump models covered in this specification are Series LSG/LSGX200 grinder pumps. The pump furnished for this application shall be model _____ as manufactured by Liberty pumps.

2.01 OPERATING CONDITIONS:

Each submersible pump shall be rated at 2 hp _____ volts _____ phase 60 Hz. 3450 RPM. The unit shall produce _____ G.P.M. at _____ feet of total dynamic head.

The submersible pump shall be capable of handling residential and commercial sewage and grinding it to a fine slurry enabling it to be pumped over long distances in pipelines as small as 1.25" in diameter. The LSG series single stage submersible pump shall have a shut-off head of 108 feet and a maximum flow of 50 GPM @ 10 feet of total dynamic head. The LSGX series two stage submersible pump shall have a shut-off head of 185 feet and a maximum flow of 38 GPM @ 10 feet of total dynamic head.

3.01 CONSTRUCTION:

Each centrifugal grinder pump shall be equal to the  certified Series LSG/LSGX Grinder pumps as manufactured by Liberty Pumps, Bergen NY. The castings shall be constructed of class 25 cast iron. The motor housing shall be oil filled to dissipate heat. Air filled motors shall not be considered equal since they do not properly dissipate heat from the motor. All mating parts shall be machined and sealed with a Buna-N o-ring. All fasteners exposed to the liquid shall be stainless steel. The motor shall be protected on the top side with sealed cord entry plate with molded pins to conduct electricity eliminating the ability of water to enter internally through the cord. The motor shall be protected on the lower side with a dual seal arrangement. The first seal is a double lip seal molded in FKM fluoroelastomer or Buna N.

The second / main seal shall be a unitized hard face silicon carbide seal with stainless steel housings and spring.

The upper and lower bearing shall be capable of handling all radial thrust loads. The lower bearing shall have the additional ability to handle the downward axial thrust produced by the impeller and cutters by design of angular contact roller races. The pump housing shall be of the concentric design thereby equalizing the pressure forces inside the housing which will extend the service life of the seals and bearings. Additionally there shall be no cutwater in the housing volute in order to discourage the entrapment of flowing debris. The pump shall be furnished with stainless steel handle having a nitrile grip.

4.01 ELECTRICAL POWER CORD

The submersible pump shall be supplied with 10 feet of multiconductor power cord. It shall be cord type SJOOW (1-phase) or SEOOW (3-phase), capable of continued exposure to the pumped liquid. The power cord shall be sized for the rated full load amps of the pump in accordance with the National Electric Code. The power cable shall not enter the motor housing directly but will conduct electricity to the motor by means of a water tight compression fitting cord plate assembly, with molded pins to conduct electricity. This will eliminate the ability of water to enter internally through the cord, by means of a damaged or wicking cord.

5.01 MOTORS

Single phase motors shall be oil filled, capacitor start / capacitor run, class B insulated NEMA B design, rated for continuous duty. At maximum load the winding temperature shall not exceed 135 degrees C un submerged. Since air filled motors are not capable of dissipating heat they shall not be considered equal. The pump motor shall have an integral thermal overload switch in the windings for protecting the motor. The capacitor circuit shall be mounted internally in the pump. Motors shall have an integral solid state starting circuit switch for switching the start winding off.

6.01 BEARINGS AND SHAFT

An upper radial and lower thrust bearing shall be required. The upper bearing shall be a single ball / race type bearing. The lower bearing shall be an angular contact heavy duty ball / race type bearing, designed to handle axial grinder pump thrust loads. Both bearings shall be permanently lubricated by the oil, which fills the motor housing. The bearing system shall be designed to enable proper cutter alignment from shut off head to maximum load at 10' of TDH. The motor shaft shall be made of 300 or 400 series stainless steel and have a minimum diameter of .670".

7.01 SEALS

The pump shall have a dual seal arrangement consisting of a lower and upper seal to protect the motor from the pumping liquid. The lower seal shall be a FKM fluoroelastomer OR Buna N molded double lip seal, designed to exclude foreign material away from the main upper seal. The upper seal shall be a unitized silicon carbide hard face seal with stainless steel housings and spring equal to Crane Type T-6a. The motor plate / housing interface shall be sealed with a Buna-N o-ring.

8.01 IMPELLER

The impeller shall be a investment cast stainless steel impeller, with pump out vanes on the back shroud to keep debris away from the seal area. it shall be keyed and bolted to the motor shaft.

9.01 CUTTER MECHANISM

The cutter and plate shall consist of 440 stainless steel with a Rockwell C hardness of 55-60. The stationary cutter plate shall have specially designed orifices through it, which enable the slurry to flow through the pump housing at an equalized pressure and velocity. The stationary cutter shall consist of V shapes to maximize cutting action and arc shape exclusion slots to outwardly eject debris from under the rotary cutter. The rotary cutter shall have (4) blades and be designed with a recessed area behind the cutting edge to prevent the accumulation and binding of any material between rotary cutter and the stationary cutter. The cutting system must incorporate close tolerances for optimum performance. Ring or radial cutters, or those that grind on the outside circumference of shall not be considered equal.

10.01 CONTROLS

The unit is controlled by a CSA and UL approved automatic wide angle tilt float switch, it also has an alarm float that acts as a redundant on to the pump. In the event the main switch fails and the alarm is activated the system will alarm as well as turning the pump on. The panel has a manual switch to test operation of the pump; this feature is maintained in the Liberty drop in.

11.01 PAINT

The exterior of the casting shall be protected with Powder Coat paint.

12.01 SUPPORT

The pump shall have cast iron support legs, enabling it to be a free standing unit. The legs will be high enough to allow solids and long stringy debris to enter the cutter assembly.

13.01 SERVICEABILITY

Components required for the repair of the pump shall be shipped within a period of 24 hours.

14.01 TESTING

The pump shall have a ground continuity check and the motor chamber shall be Hi-potted to test for electrical integrity, moisture content and insulation defects. The motor and volute housing shall be pressurized, and an air leak decay test is performed to ensure integrity of the motor housing. The pump shall be run, voltage current monitored, and the tester checks for noise or other malfunction.

15.01 QUALITY CONTROL

The pump shall be manufactured in an ISO 9001 certified Facility.

16.01 WARRANTY

Standard limited warranty shall be 3 years.